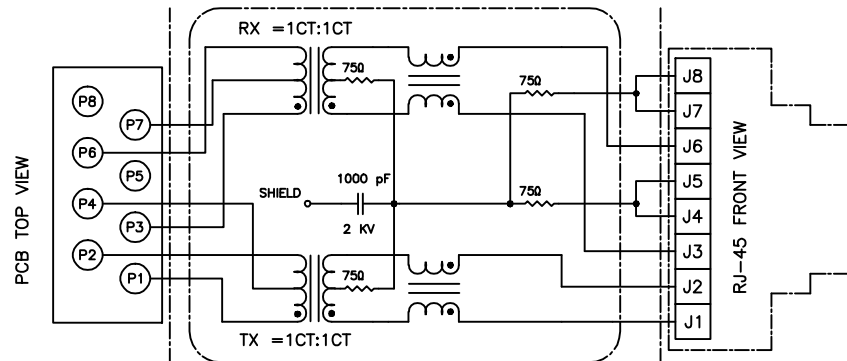


UNLESS OTHERWISE SPECIFIED
ALL TOLERANCES ARE ±0.25

BLOCK CIRCUIT x 1 SET IN ATM-073KR



ELECTRICAL CHARACTERISTICS :

- TURN RATIO : (P1~P2) : (J1~J2) : 1 : 1±3%
(P3~P6) : (J3~J6) : 1 : 1±3%
- INDUCTANCE : (P1~P2) 350uH MIN. @0.1V,100KHz, 8mA DC BIAS
(P3~P6) 350uH MIN. @0.1V,100KHz, 8mA DC BIAS
- LEAKAGE INDUCTANCE : P1~P2 (WITH J1 AND J2 SHORT) : 0.3uH MAX. @1MHz
P3~P6 (WITH J3 AND J6 SHORT) : 0.3uH MAX. @1MHz
- INTERWINDING CAPACITANCE : (P1~P2) : (J1~J2) : 35pF MAX. @1MHz
(P3~P6) : (J3~J6) : 35pF MAX. @1MHz
- DC RESISTANCE : (J1~J2) : (J3~J6) : 1.2Ω MAX.
- RETURN LOSS : 1MHz TO 30MHz : -18dB MIN.
30MHz TO 80MHz : -12dB MIN.
- DIELECTRIC WITHSTAND : (P1~P2) : (J1~J2) : 1500VAC
(P3~P6) : (J3~J6) : 1500VAC
- INSERTION LOSS : RS = RL = 100Ω 100KHz TO 80MHz : -1.2dB MAX.
- CROSS TALK : 1MHz TO 100MHz 33dB TYP
- COMMON TO COMMON MODE ATTENUATION : 30MHz TO 100MHz : 35dB TYP

					 <small>Link & Power up Your Life !!</small>		TITLE 10/100 BASE-T TRANSFORMER	
					TEL:(02)6629-6667 FAX:(02)6629-8662		DWG. NO. ATM-073KR	
RELEASE	12/07/2009	LIGHT	WILLIE	KING	UNITS:	SAFETY		
NO:	DESCRIPTION	DATE	BY	CHK	APPD	M/M	SHEET 1 of 1	
REVISIONS					DATE	P/N:	DRAW	
					12/07/09		LIGHT	